



Multi-Flexible-Coupling

GENIUS

- + One coupling for all pipe materials
- + For above and below ground
- + With integrated bushes
- + Resistant to 2.5 bar

Multi-Flexible-Coupling GENIUS - for the connection of all pipe systems with different or same outside diameters

The Multi-Flexible-Coupling GENIUS with integrated bushes connects all plain ended pipes within one dimension and can be used inside and outside of buildings.

The right solution always to hand: What ever pipe material needs to be jointed within one dimension, the GENIUS will always be the right solution for the contractor.



INSTALLATION



Bush at smaller pipe remains integrated – fold out and remove bush at larger pipe.

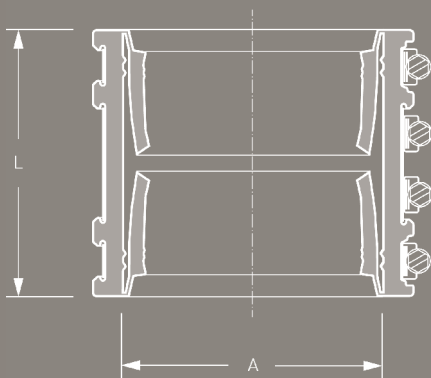


Slide GENIUS over larger pipe.



Push smaller pipe into GENIUS and tighten clamps and shear band reciprocally.

DESCRIPTION



TECHNICAL SPECIFICATION

Multi-Flexible-Coupling GENIUS with integrated bushes connects all plain ended pipe materials within one dimension with different or same outside diameters.

Pipe 1 DN/Material _____
 Pipe 2 DN/Material _____
 Article Number _____
 _____ Qty _____ Price/Unit _____ Total

- Manufacturer: MISSION RUBBER (UK) LTD., Sheffield, S35 9TG
 T +44 (0) 114 257 - 0040
- Pressure Tightness: 2.5 bar water / -0.3 bar vacuum
- Jetting Resistance: 120 bar
- Corrosion Resistance: TOX®-Technology
- Sealing Material: EPDM or Nitrile (NBR) rubber with lock in place profile according to BS EN 681-1
- Stainless Steel: AISI 304/1.4301, alternatively AISI 316/1.4404 according to BS EN 10088-2
- Temperature Resistance: -40°C to +120°C, temporary max. temperature +160°C
- Standard/Approval: BS EN 295-4



PRODUCT RANGE

MULTI-FLEXIBLE-COUPLING GENIUS						
Article Number	Reference	A Size Range (mm)	L Length (mm)	resistant to (bar)	Nm	Weight (kg)
84000100	GENIUS DN 100	108-137	120	2,5	10	1,3
84000125	GENIUS DN 125	123-162	120	2,5	10	1,5
84000150	GENIUS DN 150	158-192	150	2,5	10	2,4
84000200	GENIUS DN 200	198-265	150	2,5	10	3,2
84000250	GENIUS DN 250	248-326	150	2,5	13	6,1
84000300	GENIUS DN 300	313-385	190	2,5	13	8,1

APPLICATION SCHEDULES

DN 100	GENIUS-OPTION Size Range (mm)	DN 125	GENIUS-OPTION Size Range (mm)	DN 150	GENIUS-OPTION Size Range (mm)
If the pipe OD is between 108mm and 125mm the inner bush needs to remain.		If the pipe OD is between 123mm and 150mm the inner bush needs to remain.		If the pipe OD is between 158mm and 176mm the inner bush needs to remain.	
	108-125		123-150		158-176
If the pipe OD is between 125mm and 137mm the inner bush needs removing.		If the pipe OD is between 150mm and 162mm the inner bush needs removing.		If the pipe OD is between 176mm and 192mm the inner bush needs removing.	

DN 200	GENIUS-OPTION Size Range (mm)	DN 250	GENIUS-OPTION Size Range (mm)	DN 300	GENIUS-OPTION Size Range (mm)
If the pipe OD is between 198mm and 231mm the inner bush needs to remain.		If the pipe OD is between 248mm and 285mm the inner bush needs to remain.		If the pipe OD is between 313mm and 342mm the inner bush needs to remain.	
	198-231		248-285		313-342
If the pipe OD is between 231mm and 265mm the inner bush needs removing.		If the pipe OD is between 285mm and 326mm the inner bush needs removing.		If the pipe OD is between 342mm and 385mm the inner bush needs removing.	